

# AUTOMATIC GLASS DOORS



[WWW.FLEXIDOOR.PT](http://WWW.FLEXIDOOR.PT)

 **Flexidoor**  
AUTOMATIC DOORS MANUFACTURER



### RECOGNIZED QUALITY

Flexidoor sectional doors fulfil all the European standards for safety requirements. All the safety components are an integral part of our door, giving our customers the guarantee that our products are designed to ensure safety and well-being.



### TECHNICAL ASSISTANCE

Flexidoor has a specialized and skilled technical team which offers you all the necessary support since the planning up to the installation phase. This way, safety will be at your side during the time of work execution.



### WELL-BEING IS ALWAYS ON OUR MIND!

Nowadays aesthetic appearance of our homes has a huge importance, even because it is fundamental that we feel good in what is, after all, our home. So we have at your disposal different types of sectional doors with the most varied settings so that you can always get what you want.





# AUTOMATIC GLASS DOORS



## FLEXIDOOR

In order to diversify its range of products and to be able to present a more complete solution, Flexidoor presents another product of excellence - Automatic Glass Doors.

For buildings where it is important to save space, the existence of luminosity, without changing the aesthetics of the building, Flexidoor Automatic Glass Doors are a

solution to take into account. Complying with the requirements of EN-16005, this is another product of excellence that Flexidoor makes available to those who require aesthetics, robustness, security and reliability



## LK120 PLUS STANDARD EN-16005

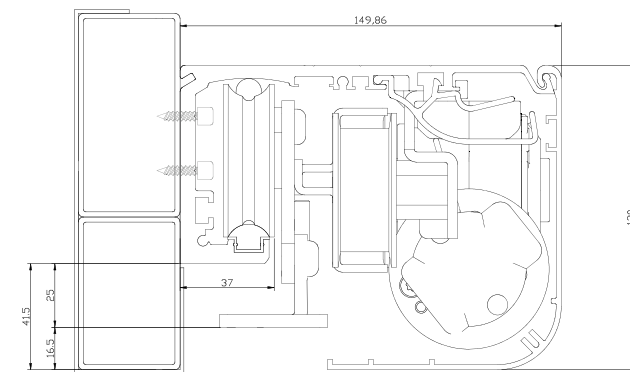
Automation for automatic glass doors with one or two sliding leaves. Mechanism of reduced measures with nylon sliding guide to reduce noise level. The front cover is equipped with accessories (casing articulations) to keep it suspended, which helps the inspection and maintenance of the operator without dismantling the cover.

### Characteristics to comply with the Standard:

- Sensors test signal
- External sensor safety input
- Interior sensor safety input
- Secondary sensor safety input for the right side fixed leaf
- Secondary sensor safety input for the left side fixed leaf
- Adjustments only through digital programmer with password



Frontal cover suspended



# LK120 AUTOMATIC GLASS DOORS



MODEL	LK120 Plus 90 1 Leaf	LK120 Plus 90 2 Leaves
Power supply	230Vac +/- 10%, 50-60Hz	230Vac +/- 10%, 50-60Hz
Power	80w	80w
Leaves maximum weight	130Kg	90Kg
Clear passage width min/max.	600mm/3200mm	1000mm/3200mm
Electric motor	40Vdc with encoder	40Vdc with encoder
Opening speed min/max.	0,7m/s	1,4m/s
Closing speed min/max.	0,6m/s	1,2m/s
Slowdown speed min/max.	0,6m/s	1,2m/s
Pause time	Max.20seg.	Max.20seg.
Working temperature	-15°C/+50°C	-15°C/+50°C
Degree of protection	IP22	IP22
Power supply of external accessories	13VDC	13VDC
Machine Dimensions (H x P)	120 x 150mm	120 x 150mm
Machine length	Max.6500mm	Max.6500mm
Frequency of use	Continuous	Continuous

It can be complemented with the integral break-out function system, to be used in emergency exits, or for the main exit doors in public buildings or in installations where occasionally a larger than usual exit is required (can also open the fixed leaves). In case of malfunction/failure of an essential component, the leaves fold out by simply pushing those outwards.

# TLK120 AUTOMATIC GLASS DOORS

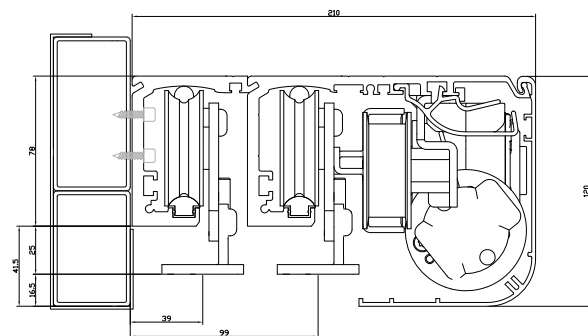
## TLK120 STANDARD EN-16005

- Automation for two or four leaf telescopic sliding doors. Very practical system for locations, where a very large free passage is necessary, that is not possible in a normal system.

- Mechanism of reduced measures with nylon sliding guide to reduce noise level. The front cover is equipped with accessories (casing articulations) to keep it suspended, which helps the inspection and maintenance of the operator without dismantling the cover.



Frontal cover suspended



MODEL	TLK120 VR-L/R 2 Leaves	TLK120 VR-D 4 Leaves
Power supply	230Vac +/- 10%, 50-60Hz	230Vac +/- 10%, 50-60Hz
Power	300w	300w
Leaves maximum weight	150Kg/Leaf	75Kg/Leaf
Clear passage width min/max.	1020mm/4000mm	1260mm/4000mm
Opening speed min/max.	0,7m/s	1,4m/s
Closing speed min/max.	0,6m/s	1,2m/s
Slowdown speed min/max.	0,6m/s	1,2m/s
Pause time	Max.20seg.	Max.20seg.
Working temperature	-15°C/+50°C	-15°C/+50°C
Degree of protection	IP22	IP22
Power supply of external accessories	24VDC	24VDC
Machine Dimensions (H x P)	120 x 210mm	120 x 210mm
Machine length	Max.6500mm	Max.6500mm
Frequency of use	Continuous	Continuous

It can be complemented with the integral break-out function system, to be used in emergency exits, or for the main exit doors in public buildings or in installations where occasionally a larger than usual exit is required (can also open the fixed leaves). In case of malfunction/failure of an essential component, the leaves fold out by simply pushing those outwards.



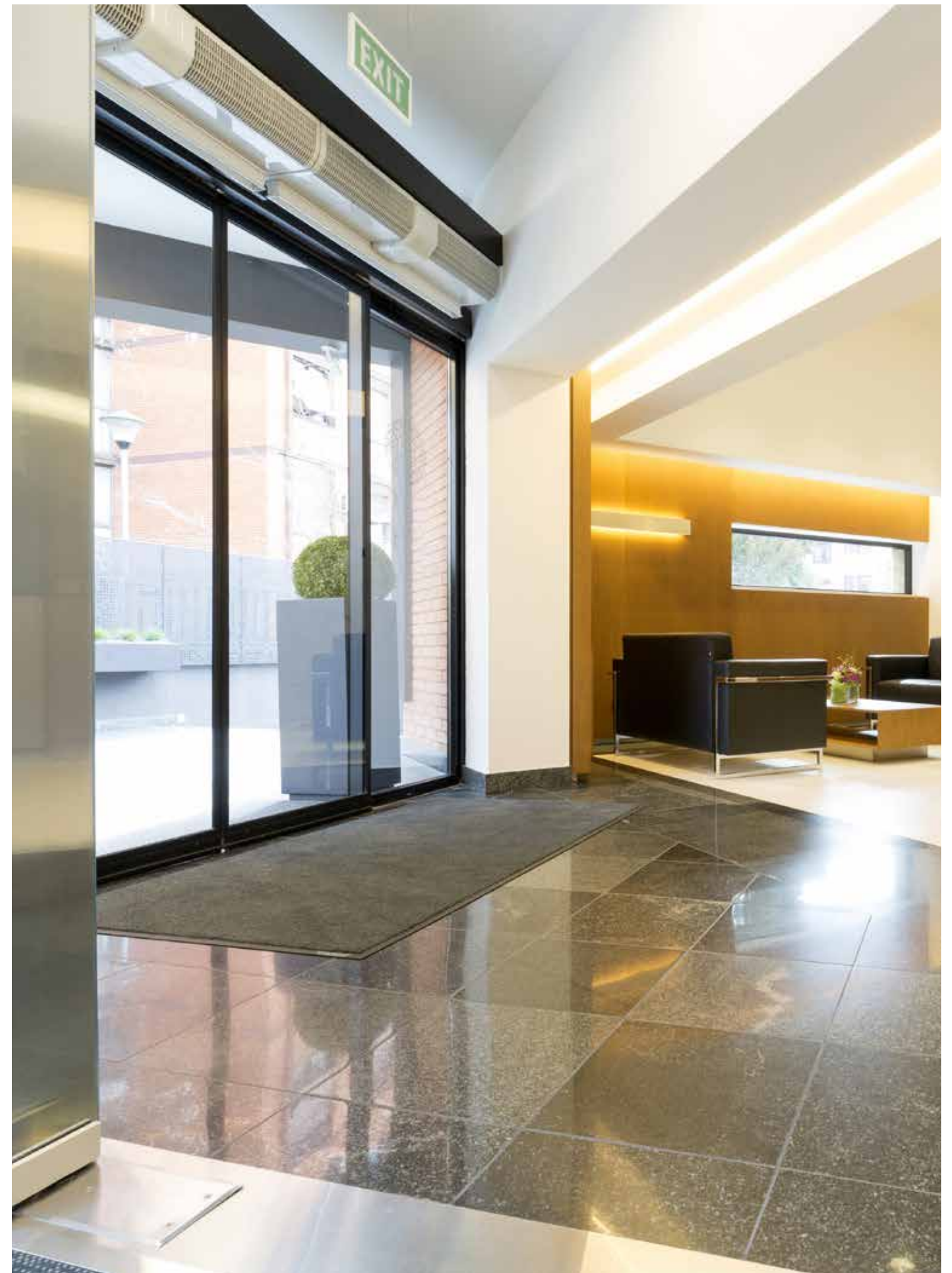
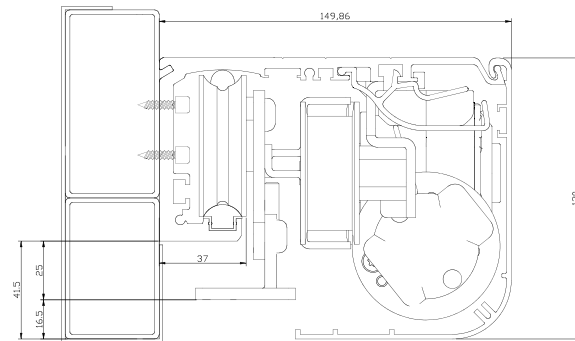
# LK120 VR AUTOMATIC GLASS DOORS

## LK120 VR redundant system STANDARD EN-16005

- Model specifically designed for use in emergency exits, without the need for the integral anti-panic system. The operator is equipped with double brushless gear motor and double encoder, the electronic board has a redundant electronics and a dual battery.
  - The redundant system ensures that, should any component of the main automation system fail, the secondary system takes over and performs the emergency opening of the automatic door.
  - The electronic control unit (extremely compact and featuring highly reliable) is equipped with a switching power supply, with a double independent power circuit for motor piloting and with two constantly synchronised microprocessors for input and output management.
- The system uses a monitored lead battery to ensure that the door opens within 5 seconds in case of failure, with standby time autonomy of 48 hours.



Frontal cover suspended



MODEL	LK120 VR-L/R 1 Leaf	LK120 VR-D 2 Leaves	TLK120 VR-L/R 2 Leaves	TLK120 VR-D 4 Leaves
Power supply	230Vac +/- 10%, 50-60Hz	230Vac +/- 10%, 50-60Hz	230Vac +/- 10%, 50-60Hz	230Vac +/- 10%, 50-60Hz
Power	100w	100w	100w	100w
Stand-by consumption	6w	6w	6w	6w
Leaves maximum weight	200Kg/leaf	150Kg/leaf	150Kg/leaf	75Kg/leaf
Clear passage width min/max.	600mm/3200mm	1000mm/3200mm	1020mm/4000mm	1260mm/4000mm
Double winding electric motor	Motor brushless 24Vdc with encoder	Motor brushless 24Vdc with encoder	Motor brushless 24Vdc with encoder	Motor brushless 24Vdc with encoder
Opening speed min/max.	0,7m/s	0,7m/s	0,7m/s	0,7m/s
Closing speed min/max.	0,6m/s	0,6m/s	0,6m/s	0,6m/s
Pause time	Max.20seg.	Max.20seg.	Max.20seg.	Max.20seg.
Working temperature	-15°C/+60°C	-15°C/+60°C	-15°C/+60°C	-15°C/+60°C
Degree of protection	IP22	IP22	IP22	IP22
Power supply of external accessories	24VDC	24VDC	24VDC	24VDC
Machine Dimensions (H x P)	120 x 150mm	120 x 150mm	120 x 210mm	120 x 210mm
Machine length	Max.6500mm	Max.6500mm	Max.6500mm	Max.6500mm
Frequency of use	Continuous	Continuous	Continuous	Continuous

# AUTOMATIC GLASS DOORS COMPOSITION



## THE REVERSIBLE 40VDC MOTOREDUCTOR (OF CONTINUOUS SERVICE)

Silent and vibrations free, with an encoder and an incorporated electric brake always active and adjustable, which prevents the door from being opened manually.

In case of power failure and discharged batteries, the electric brake is inactive, so can open the sheets manually, and will also be able to program the immediate leaves opening in the event of a power failure.



## BATTERY SYSTEM FOR OPERATION IN CASE OF POWER FAILURE

Through a set of batteries with automatic recharge and about 20 minutes autonomy in operation emitting a warning sound of low autonomy, or 24 hours in stand-by.



## MECHANICAL KEY SELECTOR

The mechanical key selector allows selecting the five door operation modes (automatic, partial opening, exit only, always open and door closed) through key. This way, it prevents involuntary change of the door operating mode.



## ALUMINIUM CLAMP

It is composed of horizontal aluminium profiles, system pressure clamp for fixing the movable leaf to the mechanism by securing it and holding it suspended. The lower part of the movable leaf has no profile, in this way is obtained a pleasant visual aspect.



## MOTION AND PRESENCE DETECTION SENSOR

Dual Function Sensor (presence and movement sensor), allows at the same time to detect the presence of objects or people, and simultaneously detects the traffic of people. It has no safety self-test.

OPTION



## SELF-TEST SENSOR CATEGORY C

The dual technology sensor (presence and movement sensor) complies with the European Standard EN16005, which allows self-test the safety system before starting the closing manoeuvre, always ensuring the safety of people or objects in the door passage. The controller performs the verification test and the radar sends the OK signal.

OPTION



## SELF-TEST SENSOR CATEGORY D

In relation to the category C sensor, adds among others the following functions:

- In case of emergency exit, the category D sensor is required by Standard EN16005;
- More immunity against external influences (lamps, extreme weather conditions such as snow or water, rounded refrigerated showcases), which leads to a reduction of false detections and consequently to lower energy losses;
- Parameter adjustment in LCD display and possibility of adjustment of presence detection made with 4 visible infrared dots on the ground, making it easy to see the detection field.



## MICROPROCESSOR CONTROL CENTRAL

Integrates all subsystems needed for door management, according to the standard EN13849-1.

- Possibility to connect to a fire station.
- Test signal that verifies the correct operation of the safety devices, before each manoeuvre according to the standard.
- Effective obstacle detection system for the safety of users.
- System self-diagnosis with detection of possible errors and acoustic warning of damages or maintenance need.
- Optional installation of radio frequency receiver, external unlocking and emergency electric lock.



## ALUMINIUM FRAME

Aluminium profile system designed to build for both sliding and fixed leaves, for 5 + 5 laminated glass up to 20mm with chamber. It provides good sealing at the door, through a seal placed on the leaves.



## DIG-LK & VR-LK DIGITAL PROGRAMMER AND MODE SELECTOR

Programmer and function selector that allows access to:

- Different operation modes (automatic, partial opening, exit only, always open and door closed);
- Programming the door parameters without having access the monitoring system;
- the door diagnostics system, number of door cycles and maintenance intervals.

Access to the programming menu is protected by password, to ensure that only specialised and authorised personnel can perform any operation on door programming. The building responsible can protect access to the mode selector, and grant access only to certain users.

## ACCESSORIES



### ELECTRIC LOCK (ON type)

In case of power failure, both power supply and emergency battery, the electric lock keeps the leaves locked (we recommend in this case the placement of an external release).

By standard EN16005, in the case of an emergency exit on a door with electric lock, it must be of the OFF type (unlocks the lock if the power supply and battery fails).



### MICROWAVE TOUCHLESS SWITCH

Automatic button to open the door by approximation at a distance of 5 to 40cm ± 3 - 5cm and IP54.



### PUSH BUTTON

Elegant push button in stainless steel, designed to facilitate access to public buildings. Model available with wired or wireless.

WELL-BEING  
IS ALWAYS  
ON OUR MIND!







RUA DA MAJOEIRA, Nº 400  
APARTADO 542  
2415 - 184 REGUEIRA DE PONTES  
LEIRIA • PORTUGAL

TEL. +351 244 850 470

FAX. +351 244 850 471

INFO@FLEXIDOOR.PT

**WWW.FLEXIDOOR.PT**

CATVID.EN.01.18

DISTRIBUTOR

Cofinanciado por:

